

Lead-Carbon Battery LLC-300



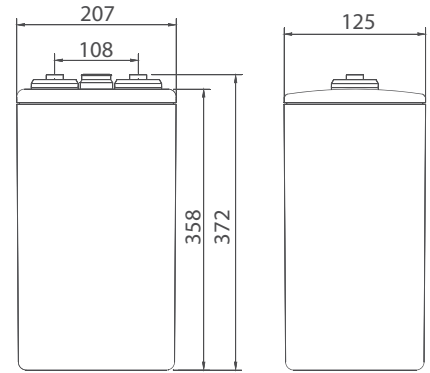
Main Applications

- ▣ Renewable energy (wind & solar) storage system
- ▣ Peak shifting of electrical power system
- ▣ Frequency regulation and load following service
- ▣ Smart-grid & micro-grid sites
- ▣ Off-grid & bad-grid sites

Benefits

- ▣ Extra long life design, design life is 20 years
- ▣ Superior PSoC and deep cycling performance
- ▣ Excellent quick charge performance, reduce charging time by 30%
- ▣ High potential fuel savings when used with hybrid genset applications

Dimensions



Technical Parameters

Nominal Voltage	2 V
Capacity	300 Ah @ 10hr to 1.80 V@ 25°C (77°F)
Weight	23.4 kg (51.6 lbs)
Dimensions	Length: 125 mm (4.92 in) Width: 207 mm (8.15 in) Height: 358 mm (14.09 in) Total height: 372 mm (14.65 in)
Internal Resistance (full charged)	0.38 mΩ
Short- circuit Current	6400 A
Self Discharge @25°C(77°F)	Less than 4% after 30 days storage
Operating Temperature Range	Discharge: -40°C ~ 50°C(-40°F ~ 122°F) Charge: -20°C ~ 45°C(-4°F ~ 113°F) Storage:-20°C ~ 40°C(-4°F ~ 104°F)
Recommended Operating Temperature	15°C ~ 25°C (59°F ~ 77°F)
Recommended Charging Current	45 A
Maximum Charging Current	90 A
Charging Voltage @25°C(77°F)	Float: 2.23 V/cell Equalize: 2.35 V/cell
Terminal	M8
Container Materials	ABS/ABS V0 (Optional)
Capacity Affected by Temperature(C ₁₀)	105% @ 40°C(104°F) 85% @ 0°C(32°F) 60% @ -20°C(-4°F)
Design Life @25°C(77°F)	20 years

Certification

- IEC 61427
- IEC 60896
- UL
- CE

Technical Features

- ▣ Adopt lead- carbon capacitance technology, reduce the cathode sulphation, ideal for PSoC cycle application and can deliver 4~5 times better cyclic life compared with normal VRLA
- ▣ Better charge acceptability and faster recharge performance
- ▣ Exquisite design for premium quality, high reliability and stability

Lead-Carbon Battery LLC-300



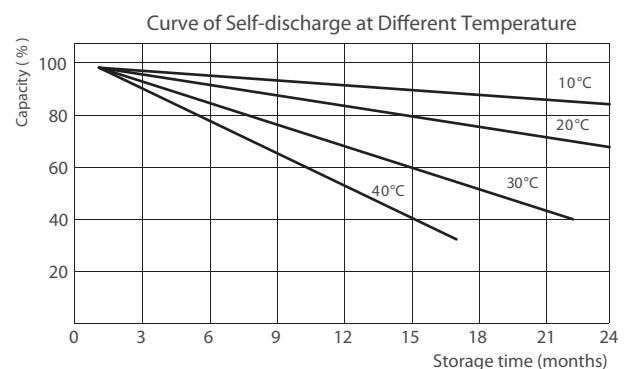
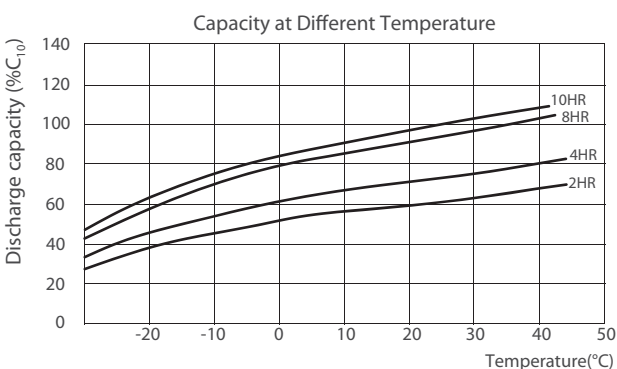
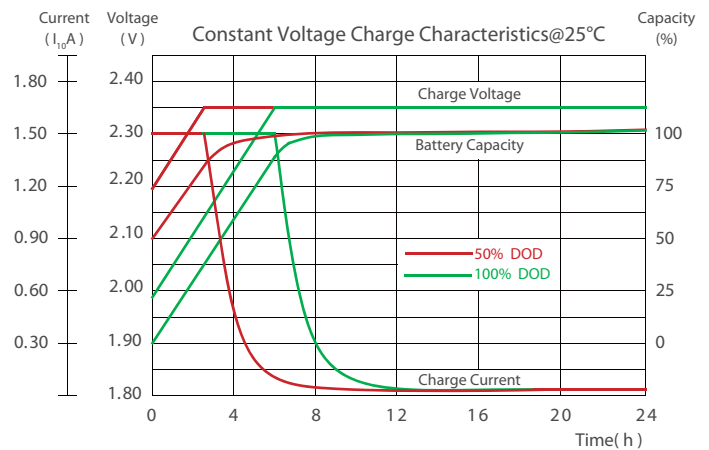
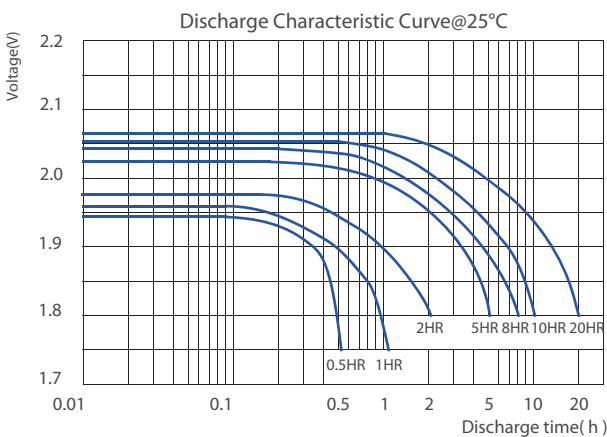
Constant Current Discharge Characteristics Unit: A (25°C, 77°F)

F.V/Time	15min	30min	1hr	3hr	5hr	8hr	10hr	20hr	48hr
1.75V	377	259	168	80	55	39	33	17.3	7.4
1.80V	340	243	162	77	54	38	32	17.0	7.3
1.85V	294	217	146	73	52	37	31	16.4	7.0
1.90V	223	176	127	62	43	31	25	14.6	6.8

Constant Power Discharge Characteristics Unit: W/cell (25°C, 77°F)

F.V/Time	15min	30min	1hr	3hr	5hr	8hr	10hr	20hr	48hr
1.75V	649	500	314	156	105	72	63	33.9	15.4
1.80V	618	436	308	152	104	71	62	33.6	15.2
1.85V	563	407	301	149	101	70	59	31.9	14.6
1.90V	430	329	262	131	95	64	55	28.9	13.7

Performance Curve



*Declaration:

This information is generally descriptive only and is not intended to make or imply any representation, guarantee or warranty with respect to any cells and batteries. Cell and battery designs/specifications are subject to modification without notice. Contact CHINASHOTO for the latest information.

Welcome to Visit : www.chinashoto.com